

## 507F-SPL

### 48F Indoor/Outdoor Splice Housing

CPE/Premise Wiring

DOT

FTTx

MDU

PON



**Tii Technologies Inc.**

**Corporate Headquarters:**

141 Rodeo Drive  
Edgewood, NY 11717  
Phone: 631.789.5000  
Toll Free: 888.844.4720  
sales@tiitech.com

www.tiitech.com



507F-SPL01

The 507F-SPL Outdoor Splice Enclosure is a compact unit which can accommodate up to Two (2) FST-ASF24 24-fiber splice trays.

This weatherproof design is ideally suited for indoor/outdoor wall mount installations and is configured to accommodate up to 48F splicing.

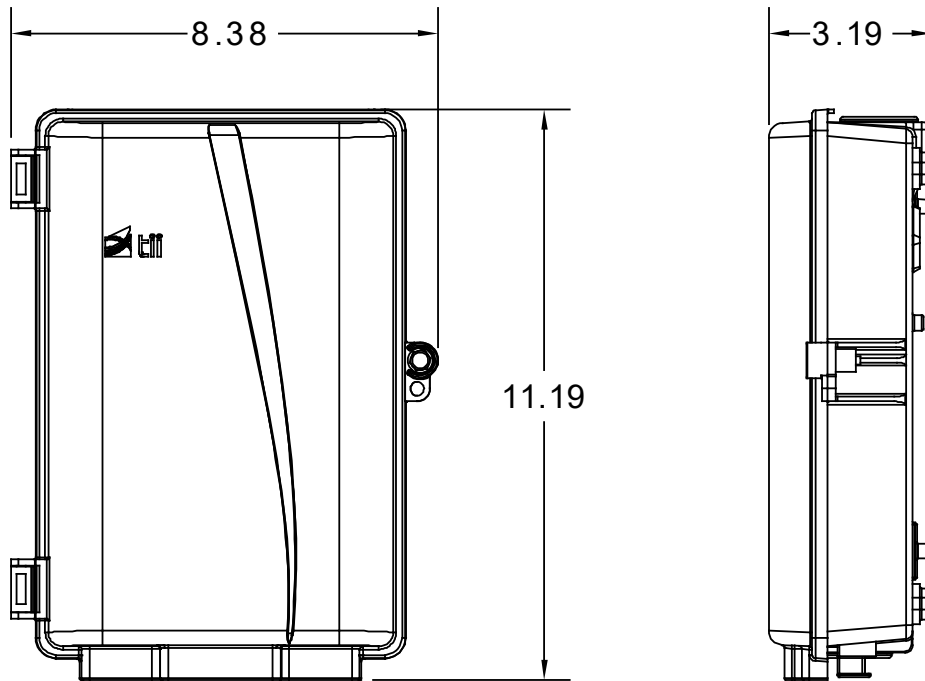
### KEY PRODUCT BENEFITS

- ▶ Provides splice point between outdoor fiber cable and indoor cable
- ▶ Can be used as a riser accumulation splice point in MDU/MTU's
- ▶ Constructed of superior materials capable of withstanding harsh outdoor environments, including UV degradation, chemical exposure, and extreme temperatures
- ▶ Entry grommets accept up to 1 inch conduit with provision for tie wrap retention
- ▶ 2X internal tie down features for proper strain relief of fiber cables
- ▶ Knockouts on back provide alternate entry scheme for fiber mini duct tubing
- ▶ Hinged cover fits securely on the base to provide maximum protection against environmental conditions and intrusion of foreign matter, protecting sensitive fiber connectivity. Cover closes securely with 3/8" hex head bolt and has a provision for a tie-wrap.

### INDUSTRY STANDARDS

- ▶ TPR-9459
- ▶ Meets GR-771 Requirements
- ▶ cUL Listed to 1863

# 507F-SPL



Dimensions are in Inches

## ORDERING INFORMATION

Model #	Description
<b>507F-SPL01</b>	507F Splice Housing Equipped with One (1) FST-ASF24 Splice Tray
<b>507F-SPL02</b>	507F Splice Housing Equipped with Two (2) FST-ASF24 Splice Trays

## ACCESSORIES

Model #	Description
<b>FST-ASF24</b>	Splice Tray 24 Single Fusion
<b>FST-AMF06</b>	Splice Tray 6 Mass Fusion 72 Fibers
<b>FST-AUNIV</b>	Splice Tray Universal 24 Single / 6 Mass Fusion